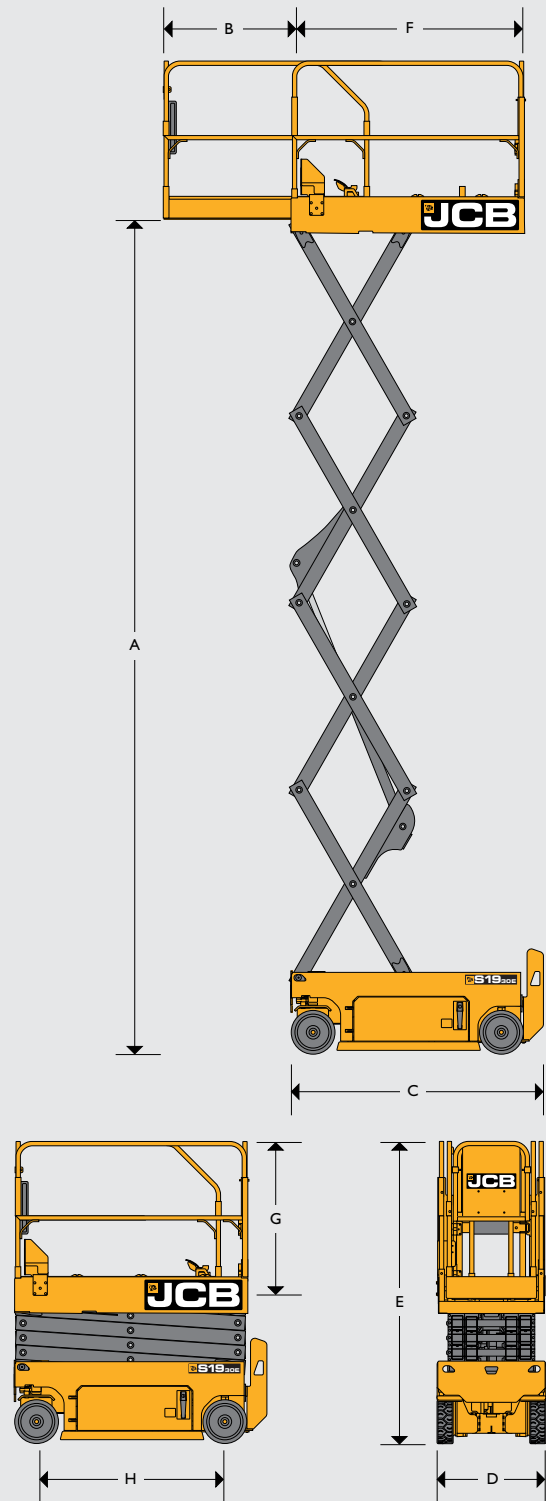


MACHINE SPECIFICATIONS

A	Max. platform height	m / ft ins	5.7 / 18'9"
	Max. working height	m / ft ins	7.7 / 24'9"
B	Extension outreach	m / ft ins	0.9 / 35
C	Length (stowed)	m / ft ins	1.78 / 5'10"
D	Width (stowed)	m / ft ins	0.77 / 2'6"
	Height (stowed, guardrails folded)	m / ft ins	1.86 / 6'1"
E	Height (stowed, guardrails unfolded)	m / ft ins	2.12 / 6'11"
	Weight	kg / lbs	1,696 / 3,740
	Max. wheel loading	kg / lbs	603 / 1,330
F	Platform length	m / ins	1.64 / 65
	Platform width	m / ins	0.76 / 30
G	Platform height	m / ins	1.10 / 43
	Load capacity	kg / lbs	230 / 505
	Max. platform occupants (outdoor)		1
	Max. platform occupants (indoor)		2
	Max. allowable manual force (indoor)	N / lbf	400 / 90
	Max. allowable manual force (outdoor)	N / lbf	200 / 45
	Max. allowable wind speed (outdoor)	m/s / mph	12.5 / 28
	Max. allowable slope (front/back)	degrees	3
	Max. allowable slope (side/side)	degrees	1.5
	Ground clearance (stowed)	m / ins	0.07 / 2.75"
H	Wheelbase	m / ins	1.33 / 52"
	Turning radius (outside)	m / ins	1.49 / 4'11"
	Turning radius (inside)	m / ins	0.04 / 1.5"
	Gradeability	%	25
	Max. driving speed (stowed)	km/h / mph	2.8 / 1.7
	Max. driving speed (raised)	km/h / mph	0.8 / 0.5
	Elevating speed (loaded)	s	20-25
	Descending speed (loaded)	s	25-30
	Solid tyre dimensions	mm	305 x 115
	Solid tyre dimensions	ins	12 x 4.5
	Hydraulic system volume	L / gal	18 / 4.75
	Hydraulic system pressure	Mpa	24.8
	Battery (voltage)	V	6
	Battery (QTY)		4
	Battery (Ah)	Ah	225
	Power unit (DC)	V / Kw	24 / 3.3
	Charger input / Output voltage	V	120-240 / 25
	Drive and steer mode		Front WD, 2WS
	Brake		Rear 2

WORK ENVELOPE



Your nearest JCB dealer

JCB Sales Limited, Rocester, Staffordshire, United Kingdom ST14 5JP.
 Tel: +44 (0)1889 590312 Email: salesinfo@jcb.com
 Download the very latest information on this product range at: www.jcb.com

©2009 JCB Sales. All rights reserved. No part of this publication may be reproduced, stored in a retrieval system, or transmitted in any form or by any other means, electronic, mechanical, photocopying or otherwise, without prior permission from JCB Sales. All references in this publication to operating weights, sizes, capacities and other performance measurements are provided for guidance only and may vary dependant upon the exact specification of machine. They should not therefore be relied upon in relation to suitability for a particular application. Guidance and advice should always be sought from your JCB Dealer. JCB reserves the right to change specifications without notice. Illustrations and specifications shown may include optional equipment and accessories. All images are correct at time of print. The JCB logo is a registered trademark of J C Bamford Excavators Ltd.